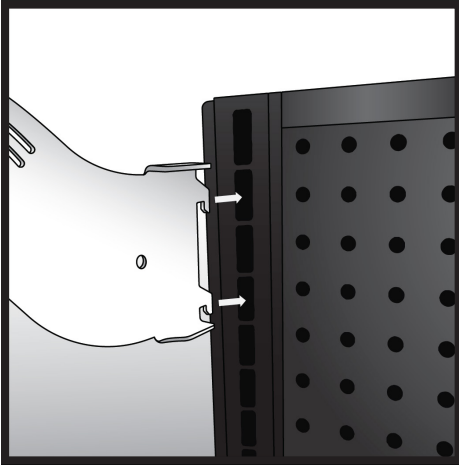


LIGHTING FOR **IMPACT**

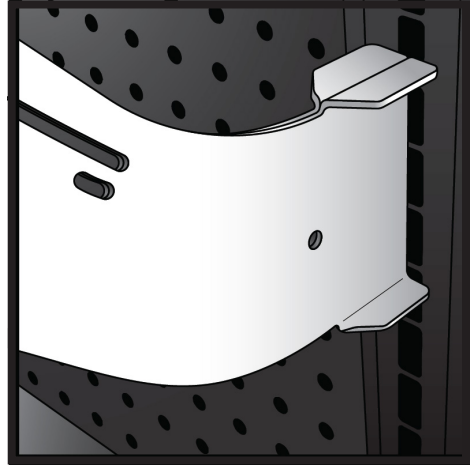
*Transforming the way your customers
see, shop, and spend...*

HEADER PANEL INSTALLATION GUIDE

STEP ONE: Install the Brackets



Left bracket sample with stop tabs to the right.



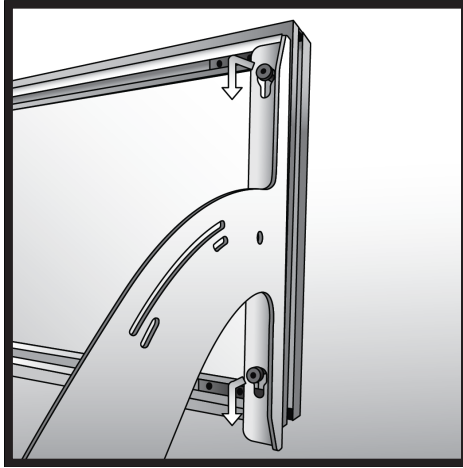
Center bracket sample with stop tabs in both directions.

Identify the right, left, or center brackets and insert them into your existing gondola upright – forcing bracket down to lock into position (as shown above).

NOTE:

- Right – Single bracket with stop tabs pointing to the left
- Left – Single bracket with stop tabs pointing to the right
- Center – Dual bracket with stop tabs pointing in both directions

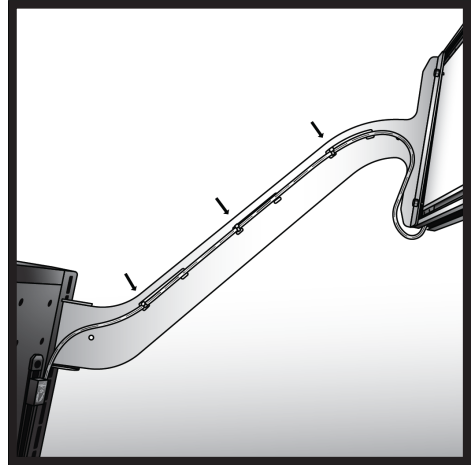
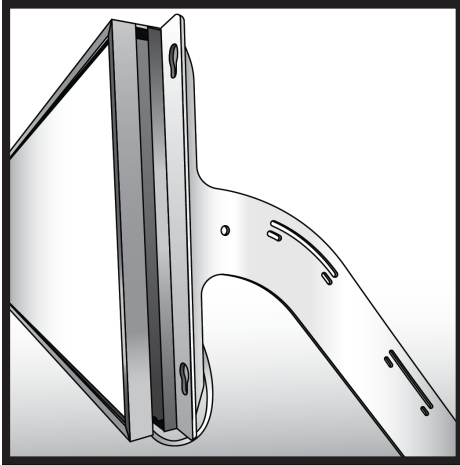
STEP TWO: Attach the Header Panel



With brackets securely mounted, take the header panel and line up installation pegs with provided mounting holes in bracket.

Slide downward until pegs reach the bottom of the mounting hole channel.

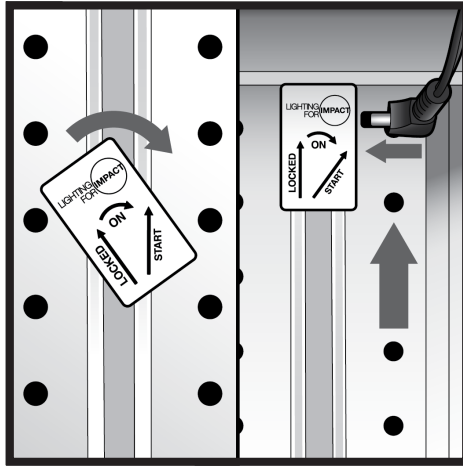
STEP THREE: Power Cord Management



Once the header panel is installed, manipulate the cord between the two plates of a center bracket. Direct the cord back toward power strip resting it on the white spacers sandwiched between the two plates.

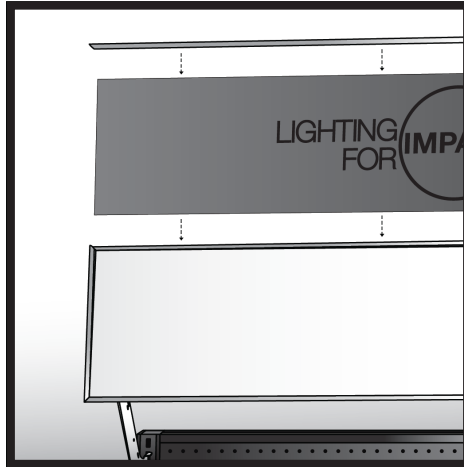
NOTE: If installing a single panel or at the last panel in a run, there will not be a dual bracket available. In this case, use the holes in the bracket to accept zip ties and conceal the wire on the inside of the bracket, (as shown above).

STEP FOUR: Connecting to Power Strip



When the header panel wire management is completed, you may plug the barrel plug end into the power output connector (POC) on the power strip.

STEP FIVE: Installing Graphics



To insert your chosen graphic design, simply remove the TOP magnetic segment of the header panel frame, gently insert graphic panel, and replace top magnetic segment of the frame (as shown above).



CONGRATULATIONS!
Installation is complete.

844.218.4412 | www.lightingforimpact.com

LIGHTINGFOR **IMPACT**

Lighting for Impact | 3201 S. 6th Street, Lincoln, NE 68502

