

Valance Installation Manual



Visit our Youtube channel to check out
the easy-to-follow video created for
your valance light installation:

<http://bit.ly/valanceInstallation>

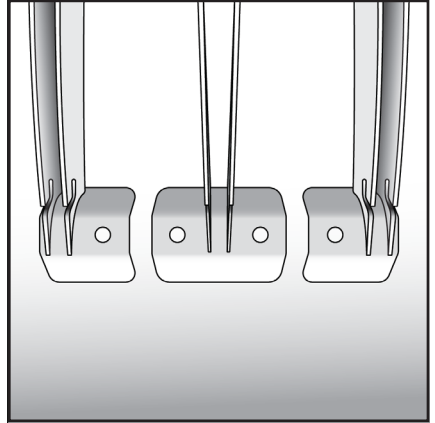
Installation of Valance Mounting Brackets

1

STEP ONE

Identify each style of Mounting Bracket and where it should be placed. There are 3 styles of Mounting Brackets:

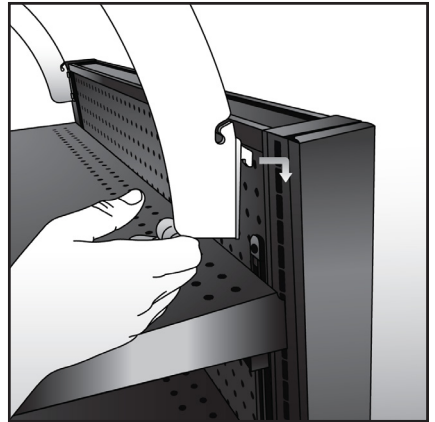
1. Left-Hand Mounting Bracket — When facing a mounted bracket, hole will be on the right.
2. Center Mounting Bracket — Will have two holes, one on either side.
3. Right-Hand Mounting Bracket — When facing a mounted bracket, hole will be on the left.



2

STEP TWO

Start on one end of the installation set. Select the first Mounting Bracket, it will be either a Right or Left-Hand bracket (not Center) a single hole should be towards the middle of the set. Hook the bracket into the top 3 notches of the upright. Pivot the bracket side to side to ensure it is securely in place.



3

STEP THREE

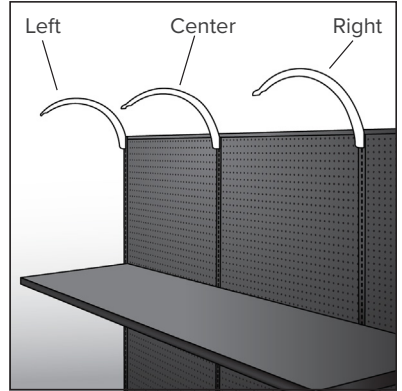
Next place a Center Mounting Bracket (with 2 holes) in the next upright by hooking the bracket into the same 3 notches as the first upright. Pivot the bracket side to side to ensure it's securely in place.

NOTE: You may use multiple Center Mounting Brackets depending on the length of the Valance Lighting section.

4

STEP FOUR

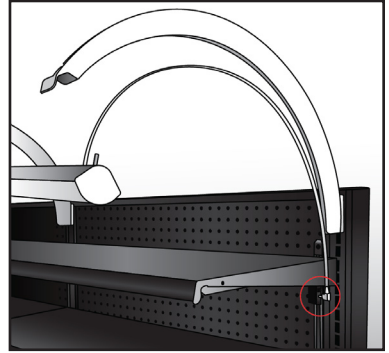
Once you reach the final upright, attach the remaining Right or Left-Hand Mounting Bracket (opposite of bracket used in step 2).



Installation of Valance Lighting to Mounting Brackets

1 STEP ONE

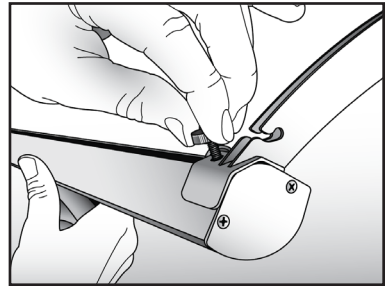
Make sure Valance Lighting cord is on the same side as the power strip. Valance Lighting can be placed with cord facing right or left.



2 STEP TWO

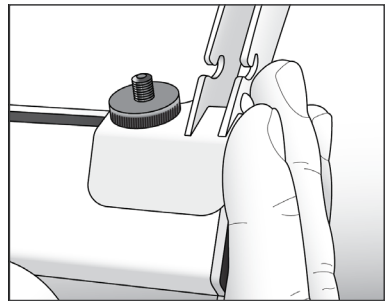
Take the one screw of the Valance Light and slide it into the first Mounting Bracket. Use a thumb nut to loosely attach the light to the bracket. DO NOT TIGHTEN ALL THE WAY.

Take the second screw of the Valance Light and slide it into the next Mounting Bracket. Use a thumb nut to loosely attach the light to the bracket. DO NOT TIGHTEN ALL THE WAY. Repeat this process for each Valance light in the set.



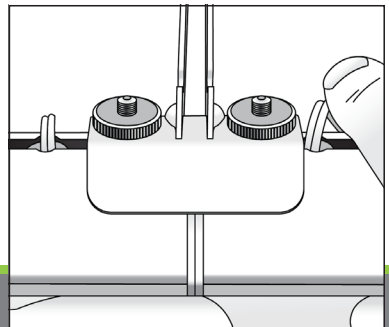
3 STEP THREE

Starting on one end of the installation, align the edge of the mounting bracket with the edge of the valance light and tighten the thumb screw.



4 STEP FOUR

For center sections, take two Valance Lights and push them together. Ensure that lights are centered on the bracket and tighten thumb screws. Repeat with all Center Mounting Brackets. Once the final Valance Light is reached, align the edge of the mounting bracket with the edge of the valance light and tighten the thumb screw.



Powering Valance Lighting

1

STEP ONE

Feed cord through the hook in the front of the Mounting Bracket. Drape wire along the mounting bracket and feed wire through the second hook at the back of the Mounting Bracket to secure.

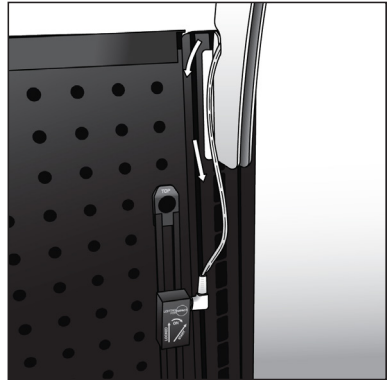


2

STEP TWO

Plug the cord into the Power Out Connector (POC), then snap onto the power strip. Writing on the front of the POC will indicate which side is up.

Repeat with all valance light cords.



Join us on social

In addition to our Youtube channel, which features product videos and instructional install videos — we're also on Facebook, Twitter and LinkedIn. Let's connect!



If you haven't already, check out our short, east-to-follow video created for your valance light installation:

<http://bit.ly/valanceInstallation>

Download our full catalog!



Discover what top retailers and brands are using to transform the way their customers see, shop and spend in-store. Our new catalog features and details the components merchandisers are using to achieve:

- Increased sales
- Improved experiences
- Enhanced perceptions

With more than 50,000 LED installations across North America, Lighting for Impact will help you select the right components and design the most effective solutions for your business. Simply visit:

<http://bit.ly/LFIcatalog>

LIGHTING FOR **IMPACT**

3201 S. 6th Street | Lincoln, NE 68502
844.218.4112 | www.lightingforimpact.com

