

# NO POWER? NO PROBLEM!

*Is a lack of power holding back your merchandising, execution, shopper experience, and profitability?*

We offer **SOLUTIONS...**

## Power Pole

## LIGHTING FOR **IMPACT**

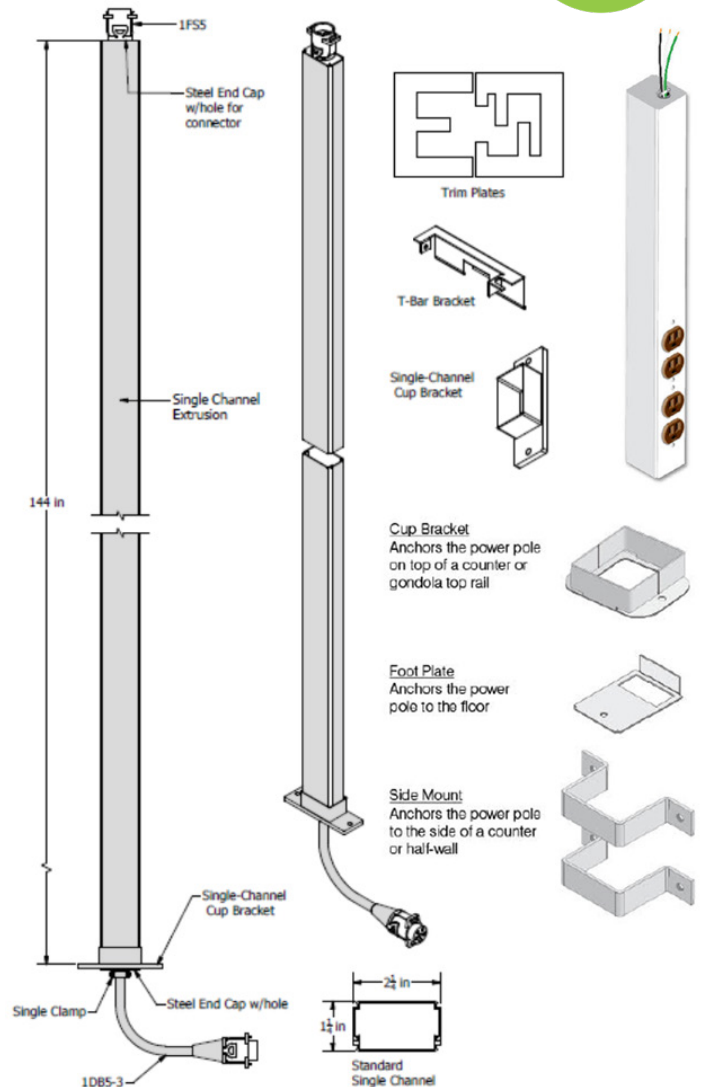
Lighting for Impact now supports your power availability needs. Our modular system can be installed in any retail location.

You select the pole color, and we'll do the rest — routing power from the backroom and dropping it at any location where power is needed. The pre-wired power poles offer a variety of mounting options and accessories to address your specific needs.

The system is UL and CL listed and proven with installations across North America. The system is cost effective and only requires a licensed electrician to insert connections into your breaker box (using approximately one hour of the electrician's time).

Let us give you a quote today!

Available colors:



Lighting for Impact  
3201 S. 6th Street  
Lincoln, NE 68502

# 844.218.4112

[www.lightingforimpact.com](http://www.lightingforimpact.com)

OVER →



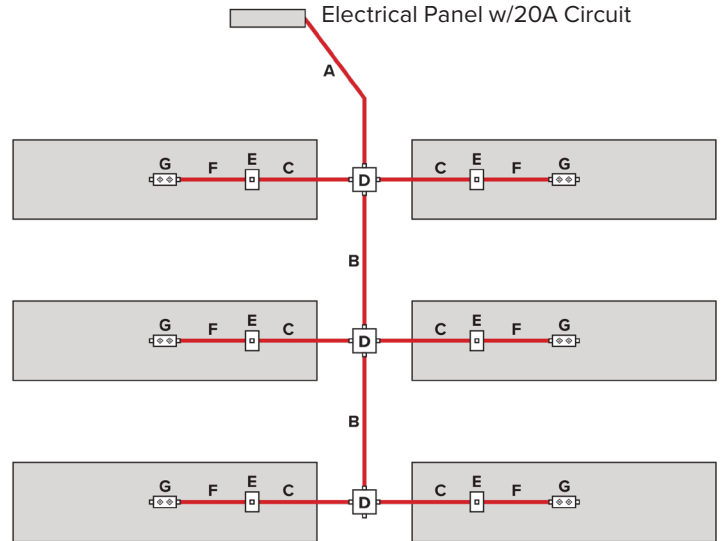


## Configuration and components

The Lighting for Impact team can work from your drawings, planograms, or photos to quote a power pole distribution system.

Keep in mind the benefits of adding power locations; it will “future-proof” your store. Power availability will enable expansion of new shelf technologies and messaging like LCD displays, IoT solutions, and more. You’ll be ready for whatever the future brings!

Sample Diagram



Average  
**\$950** per pole\*  
 (Price includes materials,  
 components and installation)

\*Standard convenience store with 5 poles.

Figure	Component Description	Qty
A	Whip 1DB5-50-10G	1
B	Extender 1E5-8	2
C	Extender 1E5-6	6
D	Splitter REF: 4SP002870	3
E	Power Pole REF: 4PP002871	6
F	Extender 1E5-4	6
G	Power Box REF: 4DB000931 716-1DR3A-0-20A	6

✓ *It's power made easy, and merchandising made powerful!*

Learn more today! Let's connect to discuss your project ideas...

Lighting for Impact  
 3201 S. 6th Street  
 Lincoln, NE 68502

**844.218.4112**

[www.lightingforimpact.com](http://www.lightingforimpact.com)



Scan to download  
 our full LED  
 merchandising  
 solutions  
 catalog today!

